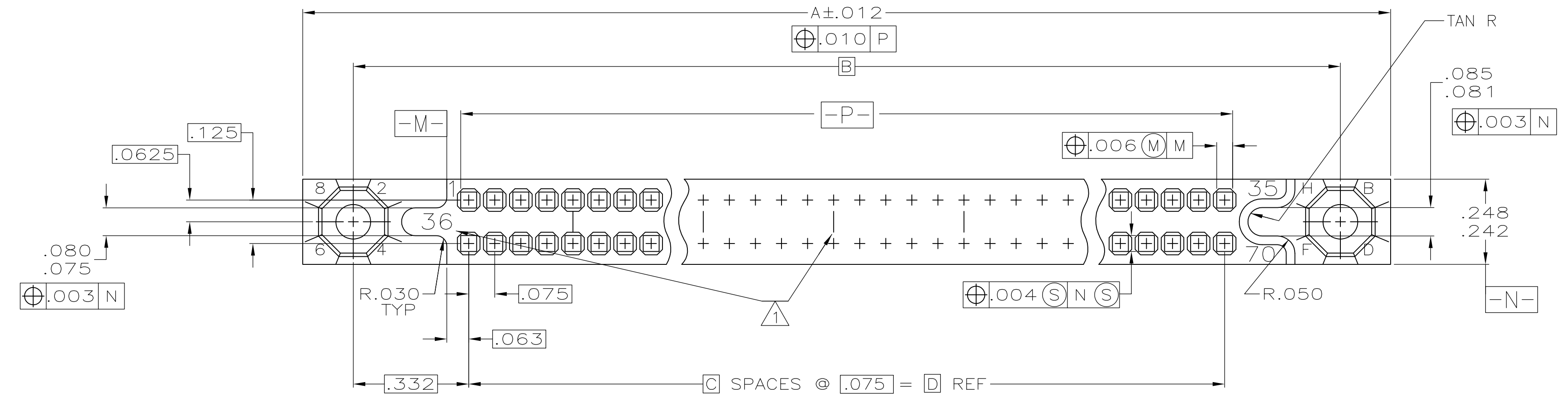
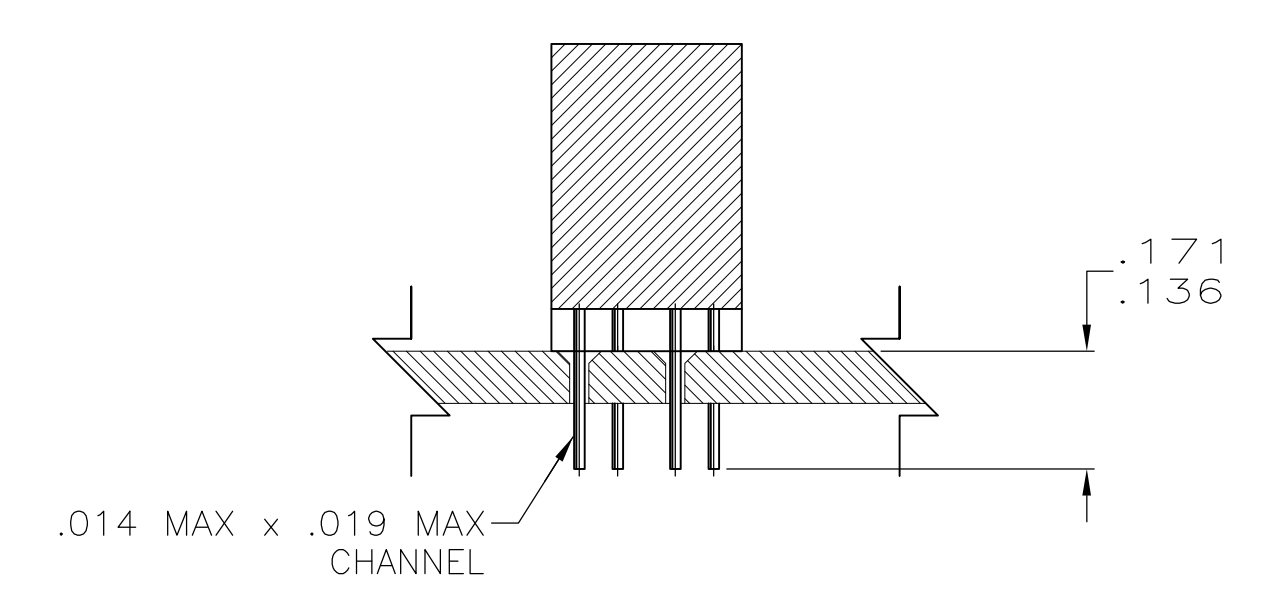
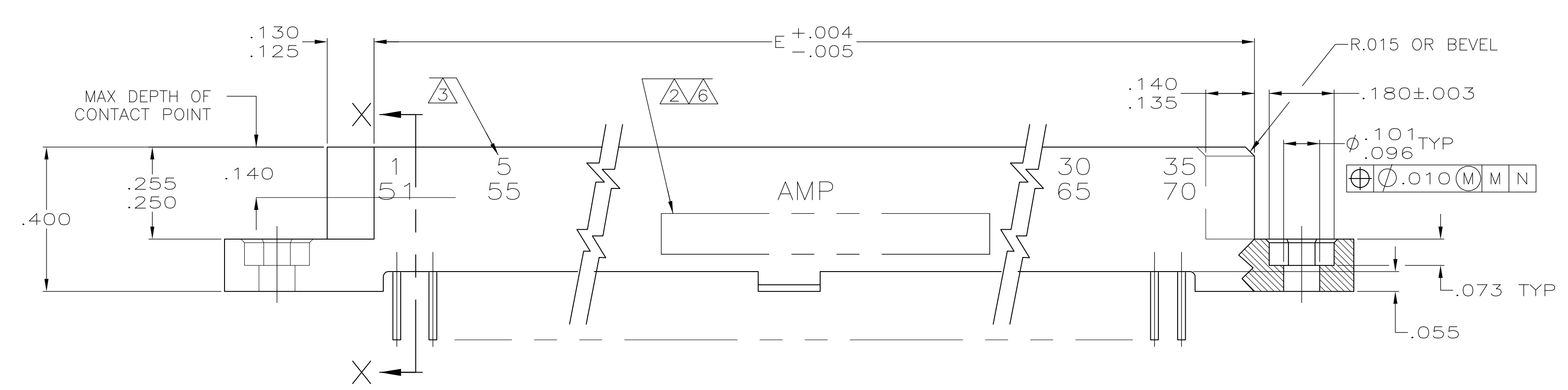


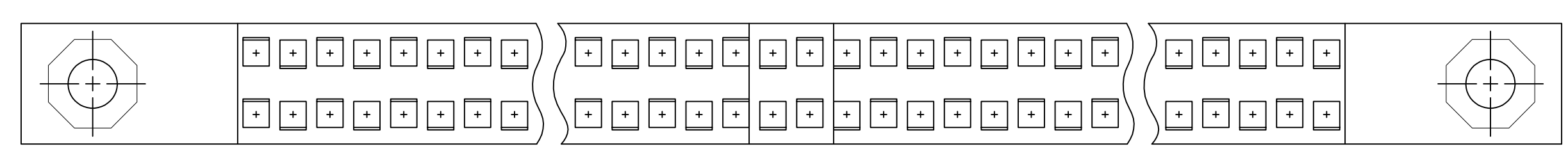
LOC		DIST		REVISIONS			
P	LTR	DESCRIPTION	DATE	OWN	APVD		
E	REV PER	ECO 08-020831	10-20-08	CT	BW		



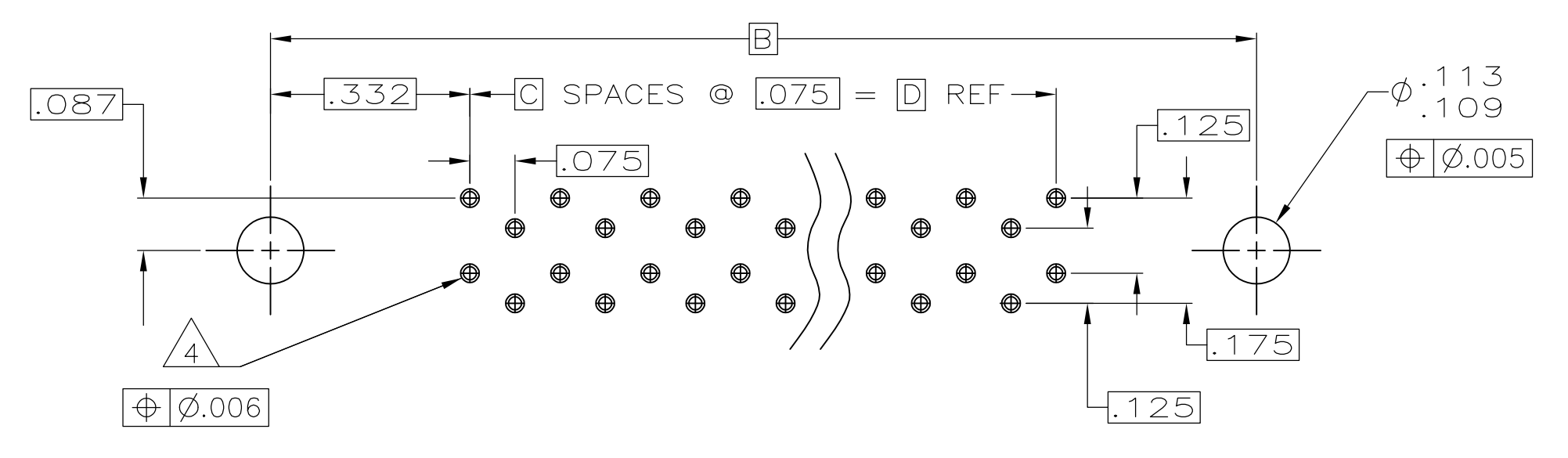
- 1. NUMBERS (SEE TABLE) AND LINES INDICATING EVERY FIVE CAVITIES MARKED ON MATING FACE.
- 2. IDENTIFICATION MARKINGS PER MIL-C-55302 (SEE TABLE) IN ADDITION TO AMP, PART NUMBER, AND DATE CODE
- 3. NUMBERS INDICATING EVERY FIVE CAVITIES MARKED ON SIDE (EXCEPT 10 POSN)
- 4. .022-.027 DIA HOLE IN PC BOARD, 60°x .031 DEEP COUNTERSINK RECOMMENDED ON CONNECTOR SIDE OF BOARD
- 5. MUST MEET ALL APPLICABLE REQUIREMENTS IF MIL-C-55302.
- 6. CUSTOMER PART NO 90132-2 ADDED IN PLACE OF MIL-C-55302 PART NO
- 7. FINISH: .000050 GOLD IN CONTACT AREA, TIN-LEAD ON SOLDER TAILS OVER NICKEL UNDERPLATE.
- 8. FINISH: .000050 GOLD ALL OVER NICKEL UNDERPLATE



SECTION X-X
FLOW SOLDER TYPE



POSN	A	B	C	D	E	FINISH	CONTACT IDENT NO	IDENTIFICATION MARKING	PART NO.
90	4.255 [107.32]	3.965 [100.71]	44	3.300 [83.82]	3.565 [83.82]	8	46	1	1-531142-2
110	5.005 [127.13]	4.715 [119.76]	54	4.050 [102.87]	4.315 [102.87]	7	90	45	1-531142-1
100	4.630 [117.60]	4.340 [110.24]	49	3.675 [93.35]	3.940 [83.82]	7	110	55	1-531142-0
90	4.255 [108.08]	3.965 [100.71]	44	3.300 [83.82]	3.565 [83.82]	7	46	1	531142-9
80	3.880 [98.55]	3.590 [91.19]	39	2.925 [74.30]	3.190 [83.82]	7	41	1	531142-8
70	3.505 [90.17]	3.215 [80.70]	34	2.550 [64.77]	2.815 [83.82]	7	36	1	531142-7
60	3.130 [79.50]	2.840 [72.14]	29	2.175 [55.25]	2.440 [83.82]	7	31	1	531142-6
50	2.755 [69.98]	2.465 [62.61]	24	1.800 [45.72]	2.065 [83.82]	7	26	1	531142-5
40	2.380 [60.45]	2.090 [53.09]	19	1.425 [36.20]	1.690 [83.82]	7	21	1	531142-4
30	2.005 [50.93]	1.715 [43.56]	14	1.050 [26.67]	1.315 [83.82]	7	16	1	531142-3
20	1.630 [41.40]	1.340 [34.04]	9	.675 [17.15]	.940 [83.82]	7	11	1	531142-2
10	1.255 [31.88]	.965 [24.51]	4	.300 [7.62]	.565 [83.82]	7	6	1	531142-1



RECOMMENDED PC BOARD LAYOUT (CONNECTOR SIDE)

THIS DRAWING IS A CONTROLLED DOCUMENT.

DW: P. YEAGER 22MAR07
CHK: N. DEIBERT 22MAR07
APPV: N. DEIBERT 22MAR07

Tyco Electronics Corporation
Harrisburg, PA 17105-3608

NAME: RECEPTACLE ASSY, 750 SERIES BOX, WITH FLOW SOLDER CONTACTS & EXTERNAL KEYING

SIZE: A1
CAGE CODE: 00779
DRAWING NO: 531142

RESTRICTED TO: CUSTOMER DRAWING

SCALE: 4:1
SHEET: 1 OF 1
REV: E